

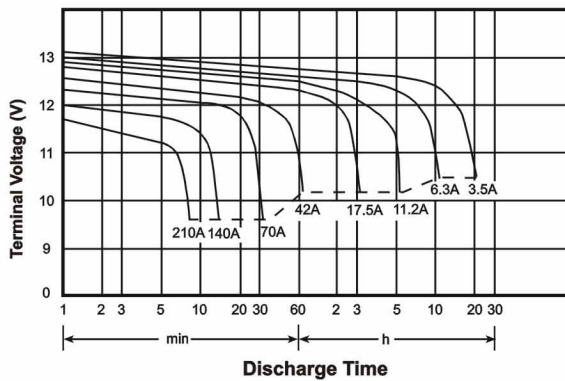
# REMCO

**RM12-70 12V, 70Ah**

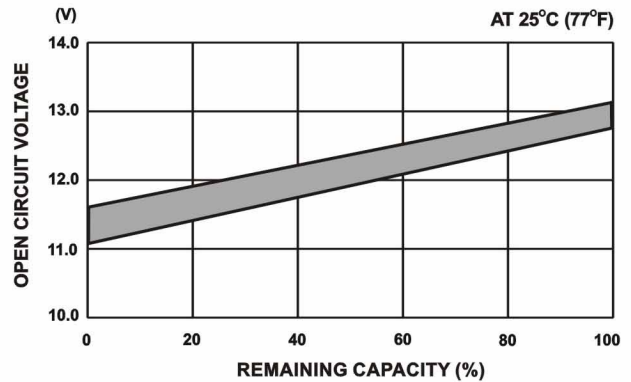
## NON-SPILLABLE SEALED RECHARGEABLE BATTERY

☆ SPECIFICATION	☆ CHARACTERISTICS
● NOMINAL VOLTAGE : 12 V	● CAPACITY 25 °C / 77 °F
● NOMINAL CAPACITY(20 hrs) : 70.0 Ah	20 hr @ 3.5 A : 70 Ah
● DIMENSIONS	10 hr @ 6.3 A : 63 Ah
TOTAL HEIGHT : 174 mm ( 6.85 inches )	5 hr @ 11.2 A : 56 Ah
CONTAINER HEIGHT : 174 mm ( 6.85 inches )	1 hr @ 42 A : 42 Ah
LENGTH : 349.8 mm ( 13.78 inches )	1 C @ 70 A : 35 Ah
WIDTH : 166 mm ( 6.54 inches )	● INTERNAL RESISTANCE( 25°C , 77 °F ) : 7 m Ω
WEIGHT : APPROX 22.7 kg ( 50.0 lbs )	● CHARGING VOLTAGE ( 25°C , 77 °F )
● MAX DISCHARGE CURRENT : 520 A ( 5 sec )	STANDBY USE : 2.275 ± 0.025 V/CELL
● MAX SHORT- DURATION DISCHARGE CURRENT : 1300 A( 0.1 sec )	: (-3.3mV / °C / CELL)
● STANDARD TERMINALS : FP-28 / RT-19	CYCLE USE : 2.45 ± 0.05 V/CELL
● CONTAINER MATERIAL : GENERAL GRADE ABS	: (-5 mV / °C / CELL)
	● MAX CHARGING CURRENT : 21 A

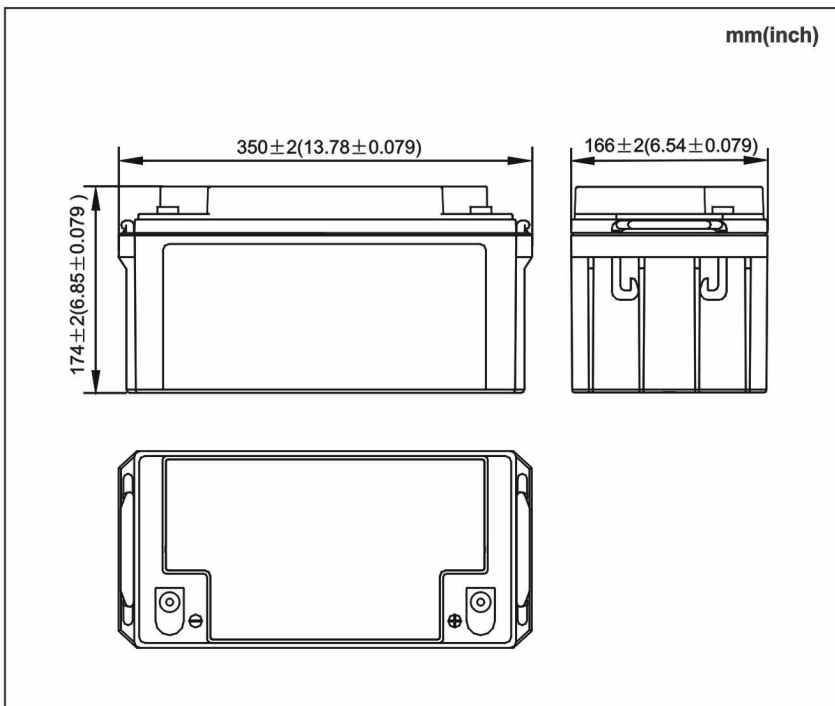
**Discharge Characteristics 25 °C (77 °F)**



**OPEN CIRCUIT VOLTAGE VS REMAINING CAPACITY**



### ☆ Dimensions



### ☆ Terminal

